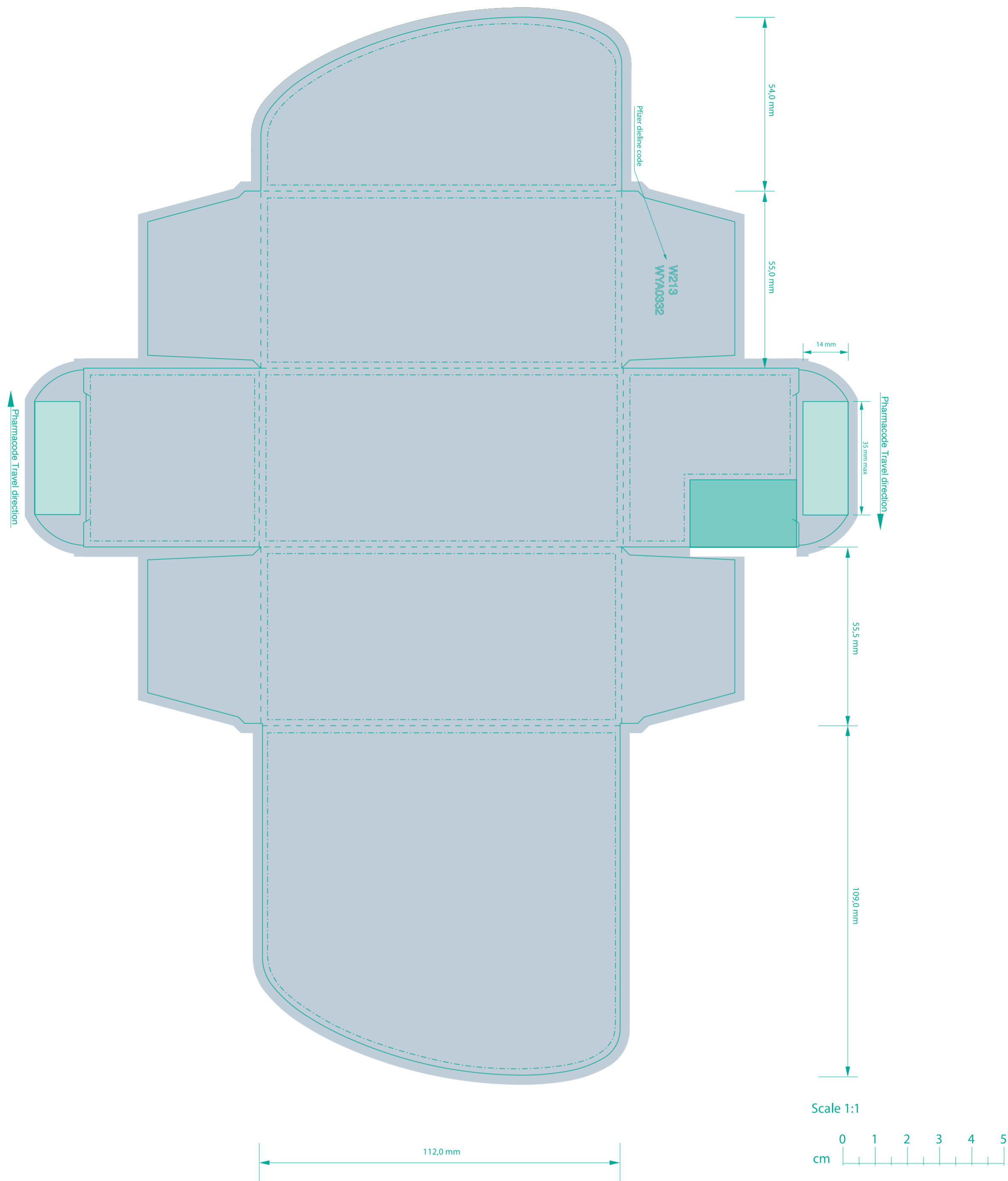


V2		champs		Artwork Information Panel		gsk	
26 - MAY - 2021		26 - MAY - 2021		26 - MAY - 2021		26 - MAY - 2021	
D2A		Non Production <input checked="" type="checkbox"/>		Production <input type="checkbox"/>		SGS No: 6384529	
Total Number of Colours including Varnish & Foils: 7		1. Cyan		2. Magenta		3. Yellow	
4. Black		5. PANTONE Cool Gray 10		6. PANTONE 877 C		7. Varnish	
8.		9.		10.		11.	
12.		13.		14.		15.	
Total Special Finishes: 0		16.		17.		18.	
Studio Location: Coimbatore, IN		19.		20.		21.	
CHAMPS No: 000004026		Manufacturing Site:		Approving Market: United Arab Emirates-ARE		Product Market Trade Name: CENTRUM SILVER	
Site Component No: NPA004220		Technical Drawing No: WYA0332		Print Process: TBC		Barcode No: 6291109120407	
Site Change Control No: NA		Formulation Code: NA		Micro Text: N		Component Type: Carton	
Material Spec No: NA		Bar Width Reduction: 0 Micron		Body Text Size: 6pt		Leading: 6pt	
Pharma Code No:		Horizontal Scale: 100%		Smallest Text Size: 4pt			



Scale 1:1



- Pharma code area reserved
- Unvarnished area reserved
- Emboss Area
- Text Area
- CUT LINE
- BEND LINE
- DASHED CUT LINE

V2 26 - MAY - 2021		champs Creating a Better Future		Artwork Information Panel		gsk	
D2A <input type="checkbox"/>		Non Production <input checked="" type="checkbox"/>		Production <input type="checkbox"/>		SGS No: 6384529	
CHAMPS No: 000004026		Manufacturing Site:		Site Component No: NPA004220		Approving Market: United Arab Emirates-ARE	
Total Number of Colours including Varnish & Foils: 7		Product Market Trade Name: CENTRUM SILVER		Component Type: Carton		Technical Drawing No: WYA0332	
1. Cyan		2. Magenta		3. Yellow		4. Black	
5. PANTONE Cool Gray 10 C		6. PANTONE 877 C		Print Process: TBC		Pharma Code No:	
7. Varnish		8.		9.		10.	
11.		12.		Barcode No: 6291109120407		Bar Width Reduction: 0 Micron	
Total Special Finishes: 0		Formulation Code: NA		Body Text Size: 6pt		Leading: 6pt	
Studio Location: Coimbatore, IN		Micro Text: N		Horizontal Scale: 100%		Smallest Text Size: 4pt	

AIP_CHAMPS_2019_Version 1